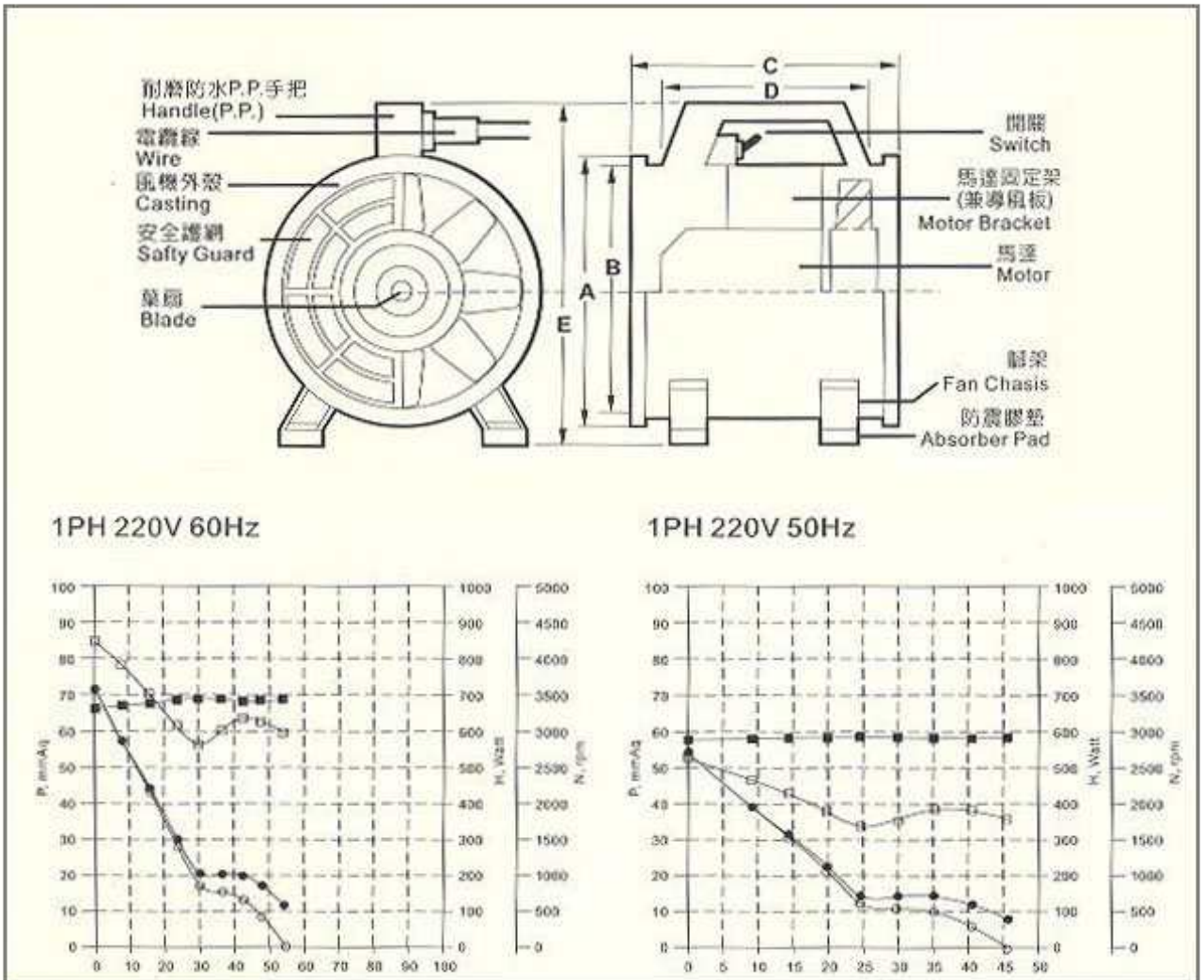


IMPROVE WORKING SURROUNDING
 ADVANCE WORKING EFFICIENCY
QUIET! POWERFUL!



HF-300



HF-300

Portable Ventilator

Size : 12"

Rotation : 3460 rpm

HP : 550W

Voltage: Single Phase 110V,220V,

Three Phase 220V, 380V

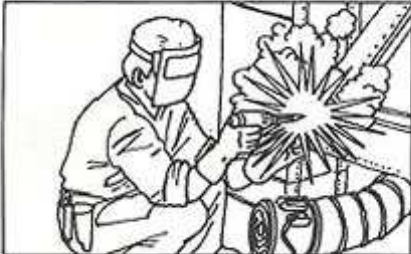
FEATURES

1. Aluminium blades compact in size, easy to operate.
2. Single-phase condenser motor eliminates the problem of over-heating of three-phase motors.
3. Aluminium blades have been subject to balance correction with computer.

Model	(W)	(V)	(P)	(Hz)	(m ³ /min)	(m/Aq)	(r.p.m.)	(pH)	(kg)
HF-200	150	110 & 220	2	50	25	35	2.930	(1pH)	10.3
				60	30	42	3460		
HF-300	550	110 & 220	2	50	60	40	2.930	(1pH)	19.7
				60	70	50	3460		

FOR USE IN

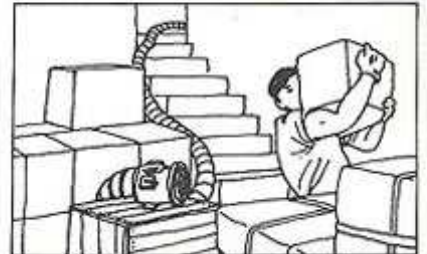
1. Underground tunnels shipyards honeycombed locales & narrow places.
2. To Suck away toxic gases when welding, and keep air fresh.
3. Perfect for storage compartments, warehouse, and electric cable construction sites.



Electric Soldering 電焊



Tunnel (mining) 坑道(採礦)



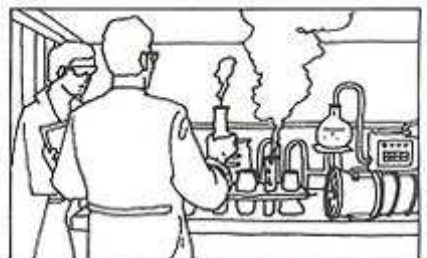
Basement Ventilation 地下室通風



Ships (waste gas exhausted out of hold)
船舶(船艙抽廢氣)



Smoking 抽煙

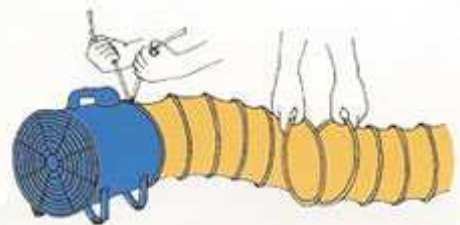
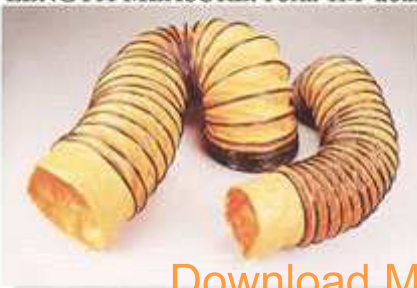


Chemical laboratory 化學實驗室

FLEXIBLE DUCT

DIA : From 180m/m-1000m/m

LENGTH MEASURE: Form 1M-20m



CONNECTION FLEXIBLE DUCT

Easily fitted extensions can extend the duct. Simply slip the extension over the ring on the end of the duct and securely tie the cord.